

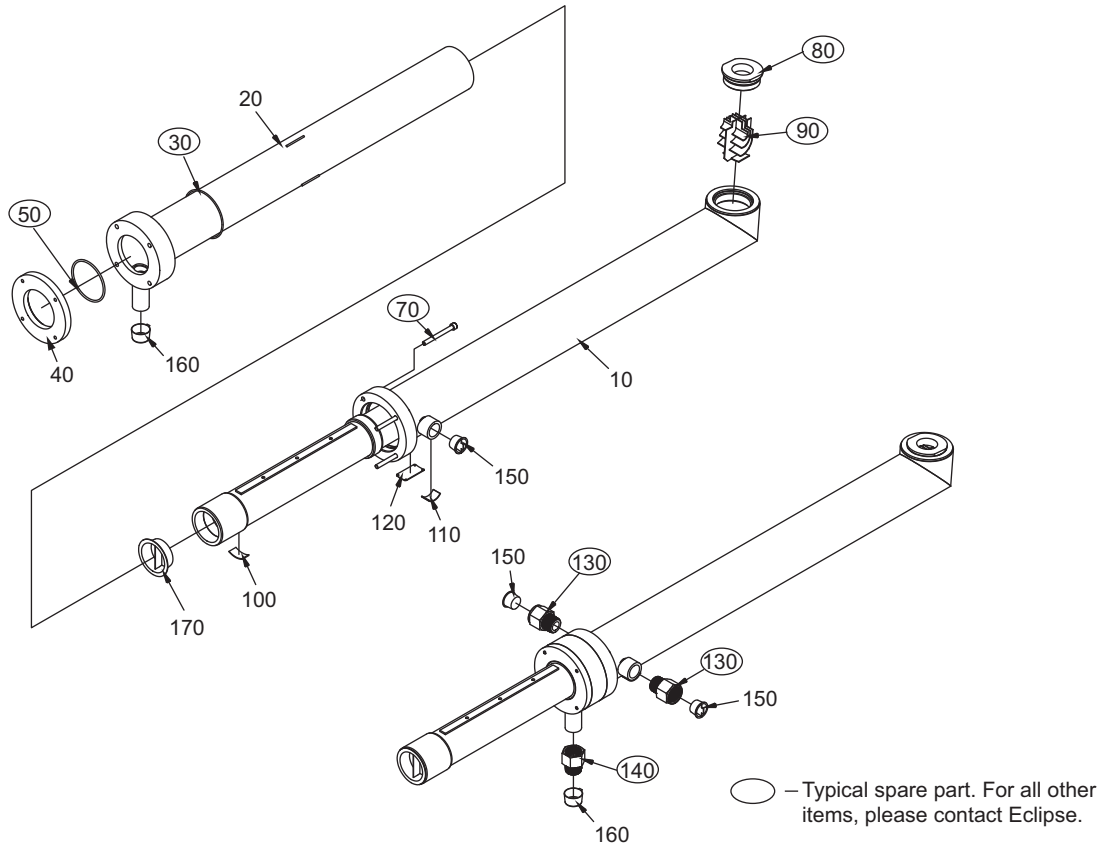
Eclipse WTPUG Burners

Spare Parts List 1141-3

3/7/2014

Version 2.1

4.25" (108 mm) Diameter Water Jacket



Ref	Part Number	Description
30	10061684	O-Ring, 3.987" ID x 0.103" Cross Section
50	10061688	O-Ring, 3.359" ID x 0.139" Cross Section
70	22866	Screw
80	10061790	Gas Nozzle, 65.0 mm Bore
80	10061791	Gas Nozzle, 62.5 mm Bore
80	10061792	Gas Nozzle, 60.0 mm Bore
80	10061793	Gas Nozzle, 57.5 mm Bore
80	10061794	Gas Nozzle, 55.0 mm Bore
80	10061795	Gas Nozzle, 52.5 mm Bore
80	10061796	Gas Nozzle, 50.0 mm Bore
80	10061797	Gas Nozzle, 47.5 mm Bore
80	10061798	Gas Nozzle, 45.0 mm Bore
80	10061799	Gas Nozzle, 42.5 mm Bore
80	10061800	Gas Nozzle, 40.0 mm Bore

Ref	Part Number	Description
80	101014108	Gas Nozzle, 37.5 mm Bore
90	101014411	Nozzle Insert, 5 Degree, 37.5 mm Outlet
90	101019319	Nozzle Insert, 10 Degree, 37.5 mm Outlet
90	101019320	Nozzle Insert, 15 Degree, 37.5 mm Outlet
90	101019321	Nozzle Insert, 20 Degree, 37.5 mm Outlet
90	101014225	Nozzle Insert, 5 Degree, 40.0 mm Outlet
90	101019322	Nozzle Insert, 10 Degree, 40.0 mm Outlet
90	101019323	Nozzle Insert, 15 Degree, 40.0 mm Outlet
90	101019324	Nozzle Insert, 20 Degree, 40.0 mm Outlet
90	101014405	Nozzle Insert, 5 Degree, 42.5 mm Outlet
90	101019325	Nozzle Insert, 10 Degree, 42.5 mm Outlet
90	101019326	Nozzle Insert, 15 Degree, 42.5 mm Outlet
90	101019327	Nozzle Insert, 20 Degree, 42.5 mm Outlet

(Continued on the next page)

Ref	Part Number	Description
90	101014255	Nozzle Insert, 5 Degree, 45.0 mm Outlet
90	101019328	Nozzle Insert, 10 Degree, 45.0 mm Outlet
90	101019329	Nozzle Insert, 15 Degree, 45.0 mm Outlet
90	101019330	Nozzle Insert, 20 Degree, 45.0 mm Outlet
90	101014215	Nozzle Insert, 5 Degree, 47.5 mm Outlet
90	101019331	Nozzle Insert, 10 Degree, 47.5 mm Outlet
90	101019332	Nozzle Insert, 15 Degree, 47.5 mm Outlet
90	101019333	Nozzle Insert, 20 Degree, 47.5 mm Outlet
90	101014399	Nozzle Insert, 5 Degree, 50.0 mm Outlet
90	101019334	Nozzle Insert, 10 Degree, 50.0 mm Outlet
90	101019335	Nozzle Insert, 15 Degree, 50.0 mm Outlet
90	101019336	Nozzle Insert, 20 Degree, 50.0 mm Outlet
90	101019337	Nozzle Insert, 5 Degree, 52.5 mm Outlet
90	101019338	Nozzle Insert, 10 Degree, 52.5 mm Outlet
90	101019339	Nozzle Insert, 15 Degree, 52.5 mm Outlet
90	101019340	Nozzle Insert, 20 Degree, 52.5 mm Outlet
90	101019341	Nozzle Insert, 5 Degree, 55.0 mm Outlet
90	101019342	Nozzle Insert, 10 Degree, 55.0 mm Outlet
90	101019343	Nozzle Insert, 15 Degree, 55.0 mm Outlet
90	101019344	Nozzle Insert, 20 Degree, 55.0 mm Outlet
90	101019345	Nozzle Insert, 5 Degree, 57.5 mm Outlet
90	101019346	Nozzle Insert, 10 Degree, 57.5 mm Outlet
90	101019347	Nozzle Insert, 15 Degree, 57.5 mm Outlet
90	101019348	Nozzle Insert, 20 Degree, 57.5 mm Outlet
90	101019349	Nozzle Insert, 5 Degree, 60.0 mm Outlet
90	101019350	Nozzle Insert, 10 Degree, 60.0 mm Outlet
90	101019351	Nozzle Insert, 15 Degree, 60.0 mm Outlet
90	101019352	Nozzle Insert, 20 Degree, 60.0 mm Outlet
90	101019353	Nozzle Insert, 5 Degree, 62.5 mm Outlet
90	101019354	Nozzle Insert, 10 Degree, 62.5 mm Outlet
90	101019355	Nozzle Insert, 15 Degree, 62.5 mm Outlet
90	101019356	Nozzle Insert, 20 Degree, 62.5 mm Outlet
90	101019357	Nozzle Insert, 5 Degree, 65.0 mm Outlet
90	101019358	Nozzle Insert, 10 Degree, 65.0 mm Outlet
90	101019359	Nozzle Insert, 15 Degree, 65.0 mm Outlet
90	101019360	Nozzle Insert, 20 Degree, 65.0 mm Outlet
130	101019644	Pipe Adapter 1" NPTM x BSPF
140	101019645	Pipe Adapter 1" BSPM x NPTF