

Honeywell

krom
schroder

Control valve RV Control valve with solenoid valve RVS

Technical Information · GB
05 Edition 02.18

- Large control ratio of 100:1
- High control accuracy
- Three-point step or continuous control
- Easy to switch between Automatic and Manual mode
- Position feedback
- Position indicator that can be read externally



CE

Contents

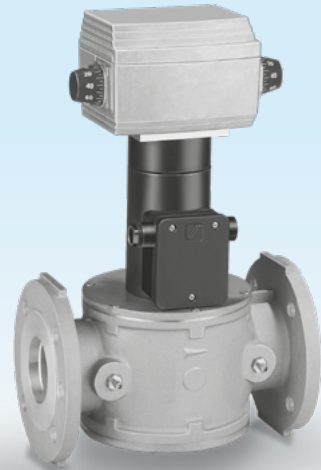
Control valve RV	
Control valve with solenoid valve RVS	1
Contents	2
1 Application	3
1.1 RV, RVS	3
1.2 RVS	4
1.3 Mechanical gas/air ratio control	4
1.4 Automatic/Manual mode	4
1.5 Application examples	5
2 Certification	6
3 Function	7
3.1 Connection diagram for RV..S1, RVS..S1, actuator	8
3.1.1 Three-point step control	8
3.1.2 Position feedback	8
3.1.3 Leakage currents in parallel circuits	8
3.2 Connection diagram for RV..E, RVS..E, actuator	9
3.2.1 Continuous control	9
3.2.2 Position feedback	9
3.3 RVS connection diagram	10
3.3.1 RVS solenoid valve with cable gland	10
3.3.2 RVS solenoid valve with plug	10
4 Flow rate	11
4.1 RV	11
4.2 RVS	12
5 Selection	13
5.1 Selection table	13
5.1.1 RV	13
5.1.2 RVS	13
5.2 RV, RVS type code	14
6 Project planning information	15
6.1 Installation	15
6.2 Control characteristic, valve authority	16
6.3 Cable selection	16

6.4 Use of interference suppression capacitors	16
6.5 RV..E, RVS..E: selecting the input signal	17
6.6 RV..E, RVS..E: setting the open and closed positions	17
6.7 RV..E, RVS..E: setting the hysteresis for the input signal	17
6.8 Automatic/Manual mode	18
7 Accessories	19
7.1 Connection flanges for RV..ML, RVS..ML	19
7.2 Feedback potentiometer installation set	19
7.3 Feedback current sensor installation set	19
7.4 Seal set	20
7.4.1 RV..ML, RVS..ML	20
7.4.2 RV..F, RVS..F	20
7.5 Adjustable gas/air ratio control/ cam disk LKS 3.1	21
8 Technical data	22
8.1 Environment	22
8.2 Electrical data	22
8.3 Mechanical data	23
8.4 Dimensions	24
8.4.1 RV..ML	24
8.4.2 RV..F	25
8.4.3 RVS..ML	26
8.4.4 RVS..F	27
9 Converting units	28
10 Maintenance cycles	28
Feedback	29
Contact	29

1 Application



RV..ML



RVS..F

1.1 RV, RVS

The control valve RV is designed for regulating flow rates for modulating-controlled combustion processes on gas and air appliances which require a large control ratio of up to 100:1. It is suitable for use in electronic or mechanical gas/air ratio control systems.

The valve ensures exact adjustment of the burner capacity.

It is actuated by a three-point step controller or, in the case of the RV..E/RVS..E, by a continuous signal (e.g. 4 – 20 mA). The RV..E/RVS..E features electronic positioning control which ensures high control accuracy.

The ratio between the input signal and the flow rate is largely linear over the entire control range.

The minimum and maximum flow rates are adjusted using two infinitely adjustable switching cams. Intermediate positions can be checked or external devices can be activated via two floating auxiliary switches.

1.2 RVS

The RVS also features an integrated safety shut-off valve so that the gas can be safeguarded and controlled without any additional pressure loss.

1.3 Mechanical gas/air ratio control

Cam disk LKS 3.1 can be installed to implement an adjustable gas/air ratio control, see page 21 (Adjustable gas/air ratio control/cam disk LKS 3.1). The air control valve is then moved proportionally via the cam disk and a flexible shaft.

1.4 Automatic/Manual mode

Switchover between Automatic and Manual mode facilitates setting of the infinitely adjustable switching cams during commissioning. This enables precise settings even in the low-fire rate range.

The switching point is set directly on the cams.

1.5 Application examples

The devices are used in mixing systems in the glass industry, in thermal incineration, in applications in the ceramics industry or for oxygen control on gas engines in combined heating and power plants.



Mixing system in the glass industry



Mixing system in the glass industry



Gas engine in a combined heating and power plant

2 Certification

Certificates – [see Docuthek](#).

EU certified pursuant to

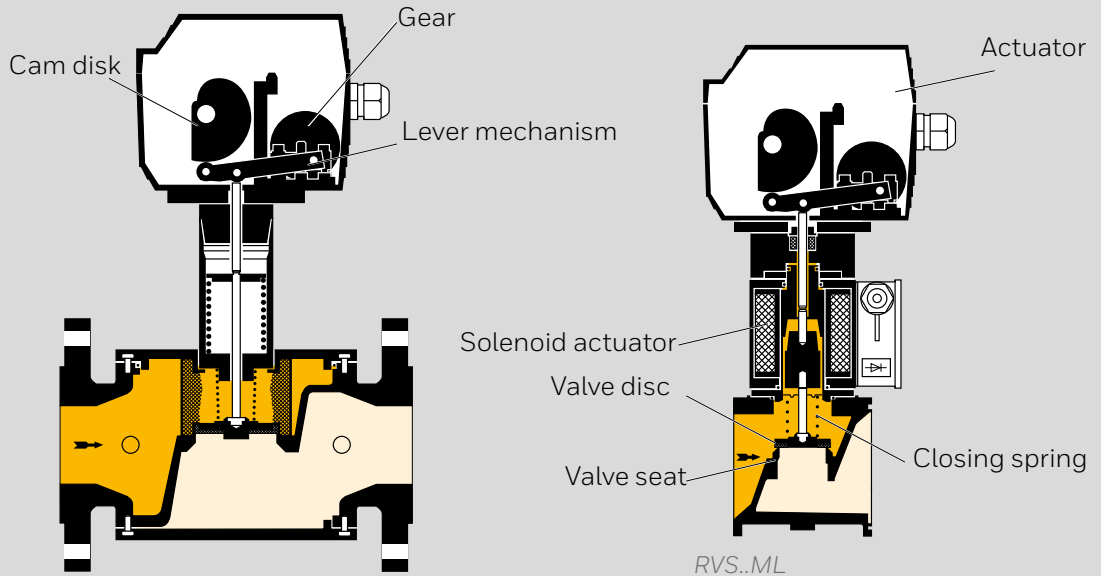


Directives:

- Low Voltage Directive (2014/35/EU)
- EMC Directive (2014/30/EU)

Regulation:

- Gas Appliances Regulation (EU) 2016/426 (valid from 21 April 2018)



3 Function

If the actuator is energized electrically, the gear moves the cam disk. This opens the control valve via the lever mechanism. The cam disk moves until the set position of the switching cams is reached. When the voltage is disconnected, the control valve remains in its current opening position.

RVS

The RVS also assumes the functions of a safety shut-off valve. It is closed when de-energized. The closing spring presses the valve disc on to the valve seat, thus shutting off the gas supply safely.

RV..E, RVS..E

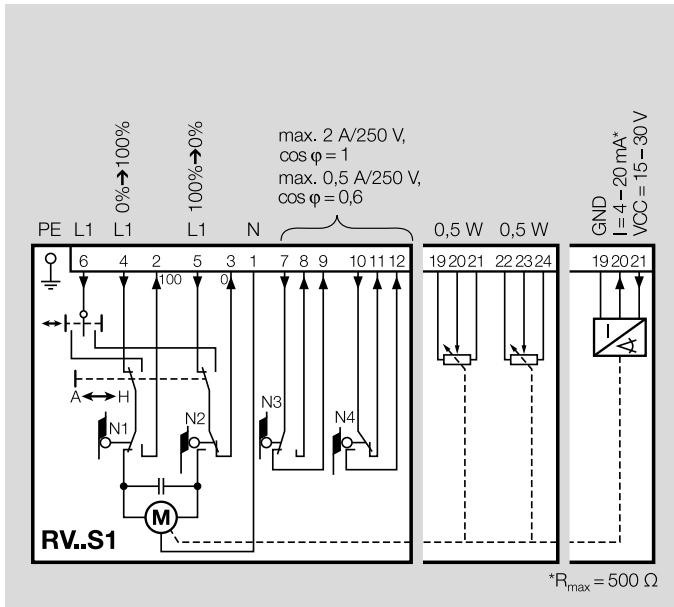
Continuous control is effected via a setpoint device (0 (4) – 20 mA, 0 – 10 V).

Feedback

A feedback potentiometer and an optional current sensor offer the possibility of monitoring and signalling back the current opening for the RV..S1, RVS..S1.

The RV..E, RVS..E features this function via the continuous output signal 4 – 20 mA as standard.

3.1 Connection diagram for RV..S1, RVS..S1, actuator



3.1.1 Three-point step control

In the case of default setting “Closed”:

The control element opens when voltage is applied to terminal 4 (0 → 100%). The control element closes when voltage is applied to terminal 5 (100 → 0%).

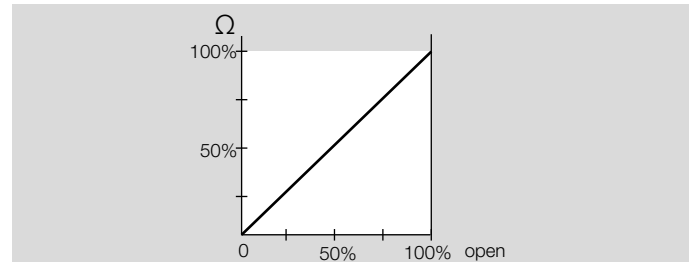
When the voltage is disconnected, the control valve remains in its current position.

Terminals 7 to 12 are intended for floating auxiliary switches.

3.1.2 Position feedback

As an option, potentiometers or a current sensor can be connected to terminals 19 to 24 for feedback. This allows the current position of the actuator to be monitored, see page 19 (Accessories).

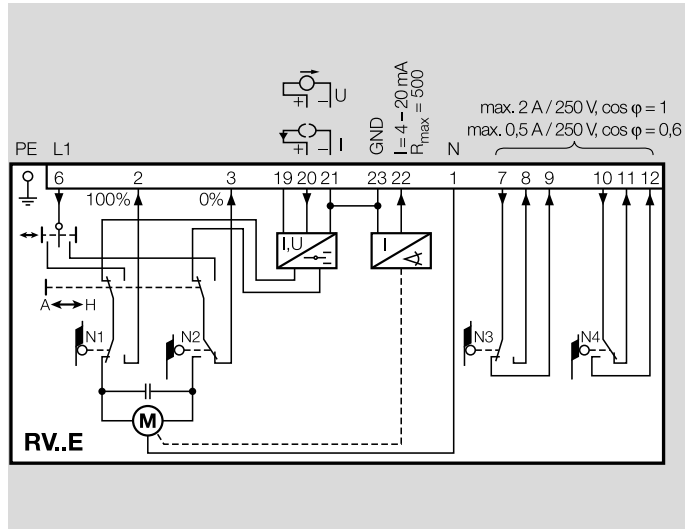
The available feedback range of the feedback potentiometer depends on the adjustment of switching cams N1 and N2.



3.1.3 Leakage currents in parallel circuits

When operating two or more actuators in parallel, the three-point step controller (terminals 4 and 5) must be electrically isolated to avoid leakage currents. We recommend using relays.

3.2 Connection diagram for RV..E, RVS..E, actuator



3.2.1 Continuous control

Voltage is applied to terminal 6. The actuator reacts to the setpoint specification 0 – 10 V or 0 (4) – 20 mA via terminals 20 and 21.

The continuous signal corresponds to the opening position to be approached (e.g. with a 0 to 20 mA signal, 10 mA correspond to 50% opening).

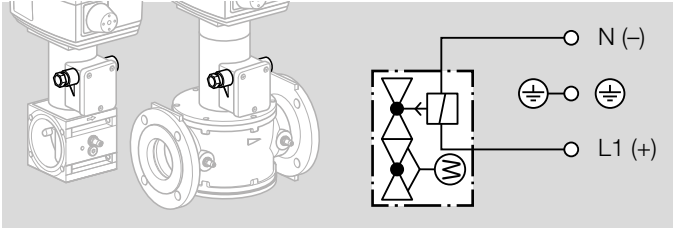
Terminals 7 to 12 are intended for floating auxiliary switches.

3.2.2 Position feedback

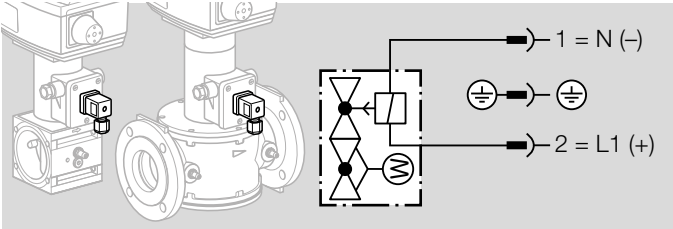
The current position of the actuator can be monitored via the continuous 4 – 20 mA output signal at terminals 22 and 23.

3.3 RVS connection diagram

3.3.1 RVS solenoid valve with cable gland

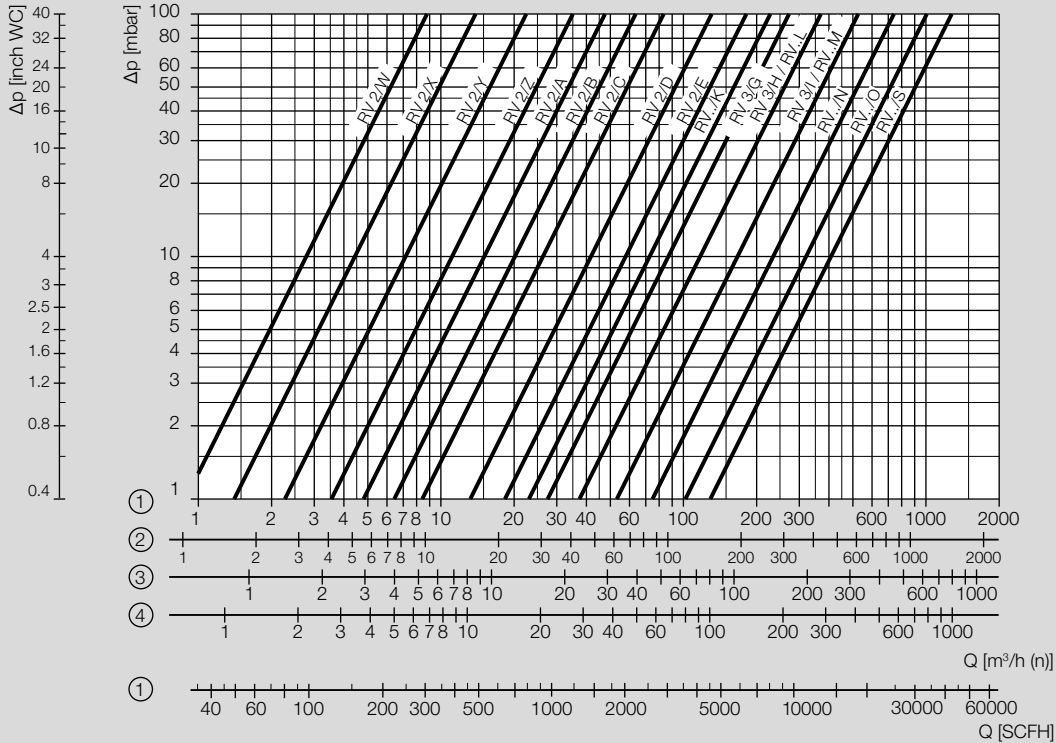


3.3.2 RVS solenoid valve with plug



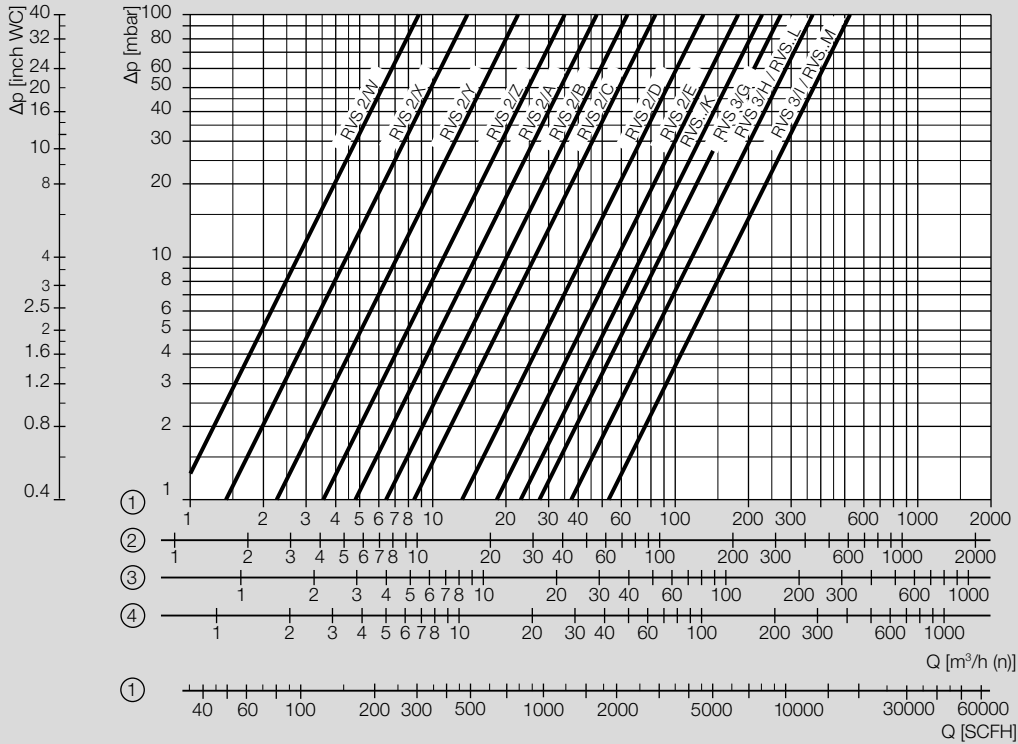
4 Flow rate

4.1 RV



RV 2ML, RV 3ML: the flow rates were determined with fitted flanges. Flanges with the largest nominal diameter possible for the respective valve seat were selected.

4.2 RVS



① = natural gas ($\rho = 0.80 \text{ kg/m}^3$)

② = propane ($\rho = 2.01 \text{ kg/m}^3$)

③ = air ($\rho = 1.29 \text{ kg/m}^3$)

RVS 2ML, RVS 3ML: the flow rates were determined with fitted flanges. Flanges with the largest nominal diameter possible for the respective valve seat were selected.

5 Selection

5.1 Selection table

5.1.1 RV

	ML	F	01	02	03	05	10	Q	W	30	60	S1	E
RV 2/W	●						●	●	●	●	●	●	●
RV 2/X	●						●	●	●	●	●	●	●
RV 2/Y	●						●	●	●	●	●	●	●
RV 2/Z	●						●	●	●	●	●	●	●
RV 2/A	●						●	●	●	●	●	●	●
RV 2/B	●						●	●	●	●	●	●	●
RV 2/C	●						●	●	●	●	●	●	●
RV 2/D	●						●	●	●	●	●	●	●
RV 2/E	●					●		●	●	●	●	●	●
RV 3/G	●						●	●	●	●	●	●	●
RV 3/H	●					●		●	●	●	●	●	●
RV 3/I	●				●			●	●	●	●	●	●
RV 40/K		●					●	●	●	●	●	●	●
RV 40/L		●				●		●	●	●	●	●	●
RV 50/K		●					●	●	●	●	●	●	●
RV50/L		●				●		●	●	●	●	●	●
RV 50/M		●			●			●	●	●	●	●	●
RV 65/L		●				●		●	●	●	●	●	●
RV 65/M		●			●			●	●	●	●	●	●
RV 65/N		●			●			●	●	●	●	●	●
RV 80/M		●			●			●	●	●	●	●	●
RV 80/N		●			●			●	●	●	●	●	●
RV 80/O		●			●			●	●	●	●	●	●
RV 100/N		●			●			●	●	●	●	●	●
RV 100/O		●			●			●	●	●	●	●	●
RV 100/S		●	●					●	●	●	●	●	●

5.1.2 RVS

	ML	F	01	02	03	05	10	Q	W	30	60	S1	E	3	6
RVS 2/W	●						●	●	●	●	●	●	●	●	●
RVS 2/X	●						●	●	●	●	●	●	●	●	●
RVS 2/Y	●						●	●	●	●	●	●	●	●	●
RVS 2/Z	●						●	●	●	●	●	●	●	●	●
RVS 2/A	●						●	●	●	●	●	●	●	●	●
RVS 2/B	●						●	●	●	●	●	●	●	●	●
RVS 2/C	●						●	●	●	●	●	●	●	●	●
RVS 2/D	●					●		●	●	●	●	●	●	●	●
RVS 2/E	●				●			●	●	●	●	●	●	●	●
RVS 3/G	●						●	●	●	●	●	●	●	●	●
RVS 3/H	●					●		●	●	●	●	●	●	●	●
RVS 3/I	●				●			●	●	●	●	●	●	●	●
RVS 40/K		●					●	●	●	●	●	●	●	●	●
RVS 40/L		●				●		●	●	●	●	●	●	●	●
RVS 50/K		●					●	●	●	●	●	●	●	●	●
RVS 50/L		●				●		●	●	●	●	●	●	●	●
RVS 50/M		●			●			●	●	●	●	●	●	●	●
RVS 65/L		●				●		●	●	●	●	●	●	●	●
RVS 65/M		●			●			●	●	●	●	●	●	●	●

1) If "none", this specification is omitted.

● = standard, ○ = available

Example

IC 50-15W30TR10

To select a valve seat – see flow rate, page 11 (RV) and page 12 (RVS).

5.2 RV, RVS type code

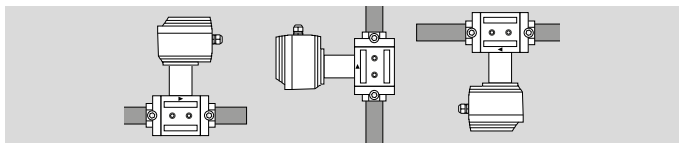
Code	Description
RV	Control valve
RVS	Control valve with solenoid valve
2	Size 2
3	Size 3
40 - 100	DN 40 - 100
/A - Z	Valve seat A - Z
ML	MODULINE system
F	Flange to ISO 7005
01	Inlet pressure
02	$p_{U \max.}$ 150 mbar
03	$p_{U \max.}$ 200 mbar
05	$p_{U \max.}$ 360 mbar
10	$p_{U \max.}$ 500 mbar
	$p_{U \max.}$ 1000 mbar
Q	Mains voltage:
W	120 V AC, 50/60 Hz
	230 V AC, 50/60 Hz
30	30 s running time
60	60 s running time
S1	Three-point step control
E	Continuous control
3	Electrical connection of solenoid valve:
6	terminal connection box
	with standard plug
V*	Viton valve disc seal*

* Available as an option

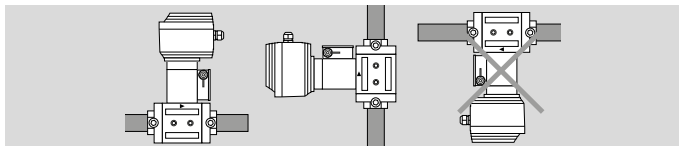
6 Project planning information

6.1 Installation

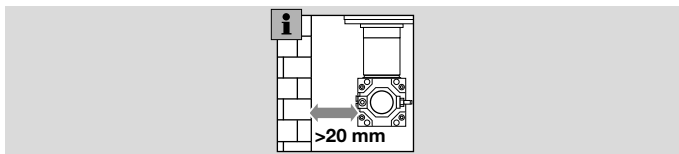
RV installation position: as required.



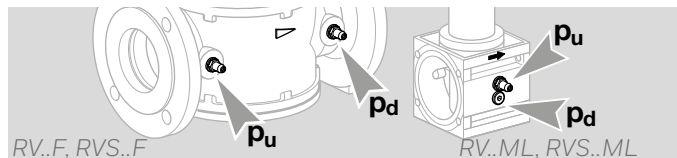
RVS installation position: not upside down.



The housing must not be in contact with masonry. Minimum clearance 20 mm (0.78”).



The inlet pressure p_u and the outlet pressure p_d can be measured using the pressure test points on both sides. There are two pressure test points on the RV..F and RVS..F, while the RV..ML and RVS..ML have one pressure test point at the inlet. Measuring connections, see technical data, page 23 (Mechanical data).



Sealing material and thread cuttings must not be allowed to get into the housing. We recommend installing an inlet flange with integrated strainer. A strainer is integrated in the RV..F, RVS..F.

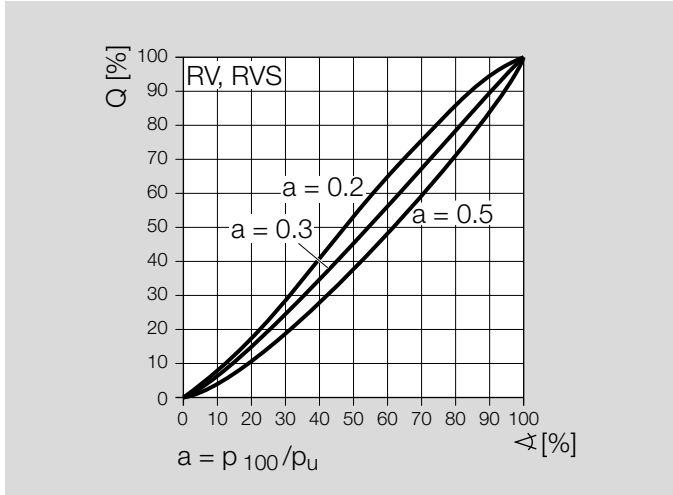
Connection flanges for RV..ML, RVS..ML must be ordered separately and can be fitted or delivered enclosed as an additional item, see page 19 (Connection flanges for RV..ML, RVS..ML).

The pipe system must be designed in such a way so as to avoid strain at the connections.

Do not store or install the unit in the open air.

6.2 Control characteristic, valve authority

The control behaviour is largely linear over the entire control range.



In order for the control element to be able to influence the flow rate, a proportion of the pressure loss Δp from the entire system has to be caused by the control element. Taking into consideration that the overall pressure loss Δp should be kept to a minimum, a valve authority $a = 0.3$ is recommended for the control element. This means that of the overall pressure loss Δp , there is a 30% drop on the fully open control element.

6.3 Cable selection

Use temperature-resistant cable ($\geq 90^\circ\text{C}$).

Install supply and signal lines separately.

Cables should be installed well away from high-voltage lines of other devices.

Observe EMC Directive for installation of signal lines.

Use cables with wire end ferrules.

Cable cross-section: max. 2.5 mm^2 .

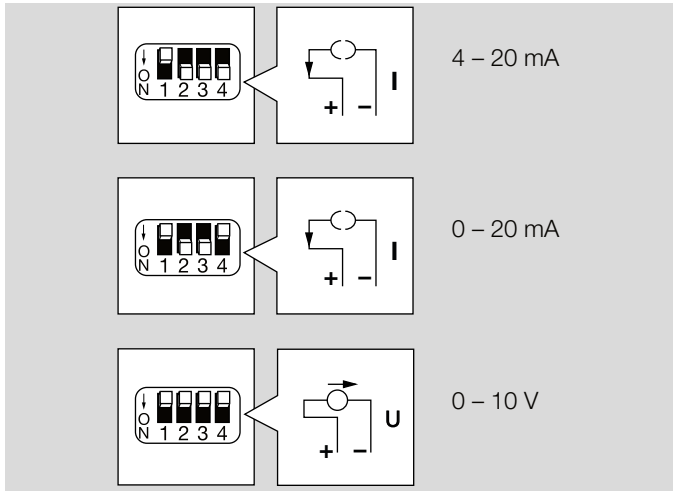
Conductors which have not been connected (spare conductors) must be insulated at their ends.

6.4 Use of interference suppression capacitors

Interference suppression capacitors installed in the system must only be used in conjunction with a series resistor so as not to exceed the maximum current – see page 22 (Technical data).

6.5 RV..E, RVS..E: selecting the input signal

The input signal type is selected using DIP switches.

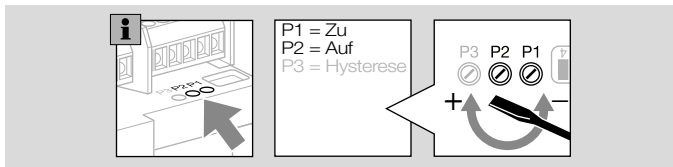


6.6 RV..E, RVS..E: setting the open and closed positions

The minimum and maximum opening positions can be set using potentiometers P1 and P2.

P1 = closed position (approx. 0 – 50%),

P2 = open position (approx. 50 – 100%)

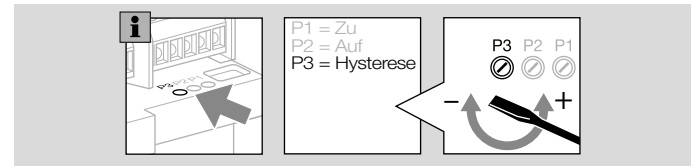


6.7 RV..E, RVS..E: setting the hysteresis for the input signal

The positioning control hysteresis can be adjusted on a potentiometer. This suppresses fluctuations or interference in the input signal.

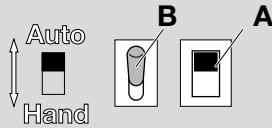
The hysteresis can be reduced and the control accuracy increased by turning the potentiometer screw clockwise.

After changing the setting, ensure that the actuator does not oscillate when operating.



6.8 Automatic/Manual mode

For commissioning, it is possible to switch between Automatic and Manual mode using a slide switch.



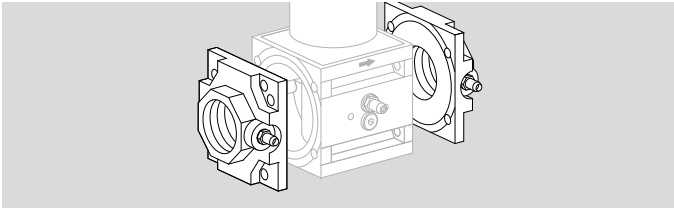
- A** Slide switch
- B** Toggle switch

In Manual mode, the actuator can be opened and closed manually using the toggle switch.

7 Accessories

7.1 Connection flanges for RV..ML, RVS..ML

Connection flanges for RV..ML, RVS..ML must be ordered separately and can be fitted (..E) or delivered enclosed as an additional item (..B). The inlet flange is available with integrated strainer.



Connection flanges:

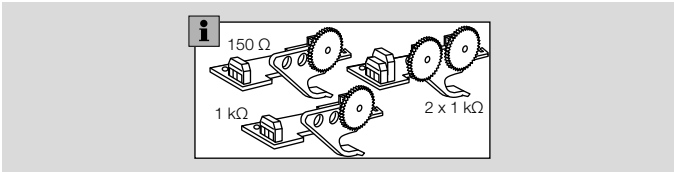
Size 2: nominal diameters DN 25 and DN 40

Size 3: nominal diameters DN 40 and DN 50

7.2 Feedback potentiometer installation set

Can only be retrofitted on RV..S1, RVS..S1.

The power consumption of the potentiometer is max. 0.5 W.



Installation set for resistance value:

150 Ω: Order No. 74926119

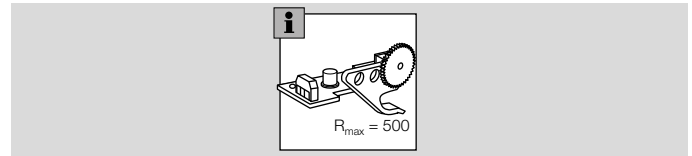
1 kΩ: Order No. 74926121

2 x 1 kΩ: Order No. 74926123

7.3 Feedback current sensor installation set

Can only be retrofitted on RV..S1, RVS..S1.

4 to 20 mA for feedback on the current position of the control valve.

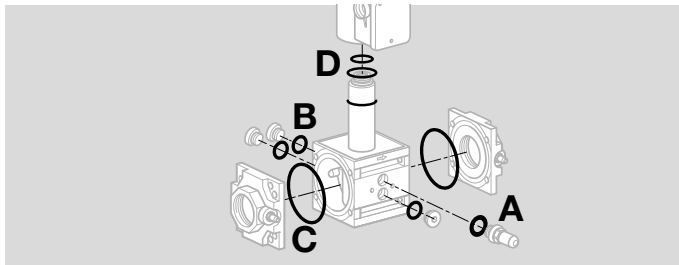


Order No. 74926117

7.4 Seal set

We recommend replacing the seals during maintenance work.

7.4.1 RV..ML, RVS..ML



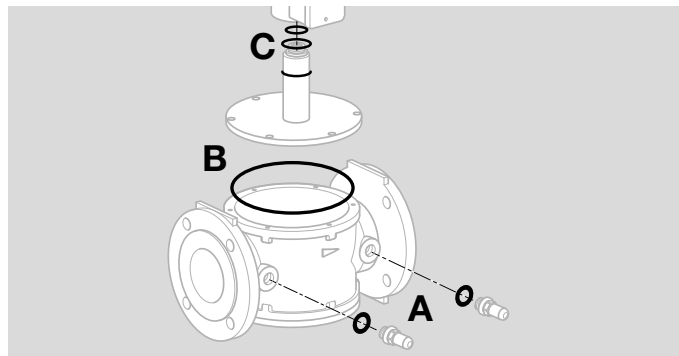
RV 2..ML, RVS 2..ML: Order No. 74926010

RV 3..ML, RVS 3..ML: Order No. 74926011

Scope of delivery:

- A** 1 x flat seal for pressure test point
- B** 3 x sealing rings for screw plugs
- C** 2 x O-rings for inlet and outlet flanges
- D** 3 x O-rings for guide tube (RVS only)

7.4.2 RV..F, RVS..F



RV 40, RVS 40: Order No. 74926012

RV 50, RVS 50: Order No. 74926013

RV 65, RVS 65: Order No. 74926014

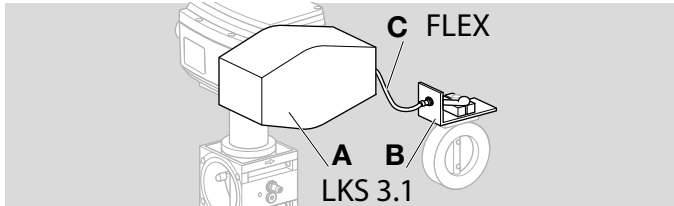
RV 80, RV 100: Order No. 74926015

Scope of delivery:

- A** 2 x flat seals for pressure test points
- B** 1 x O-ring for housing cover
- C** 3 x O-rings for guide tube (RVS 40 – 65)

7.5 Adjustable gas/air ratio control/ cam disk LKS 3.1

Cam disk LKS 3.1 can be installed to implement an adjustable gas/air ratio control.



LKS 3.1:

A Cam disk and slide in housing

B Attachment bracket and air valve lever

Order No. 15600010

C FLEX:

Flexible connection (Bowden cable in plastic tube)

The following lengths can be supplied:

400 mm: Order No. 59101420

750 mm: Order No. 59101450

980 mm: Order No. 59104690

2000 mm: Order No. 59101500

Other lengths available on request.

All screws for installation are included in the LKS 3.1 delivery.

8 Technical data

8.1 Environment

Gas type: natural gas, town gas, LPG (gaseous), biogas (max. 0.1 %-by-vol. H₂S) and air. The gas must be clean and dry in all temperature conditions and must not contain condensate.

Max. inlet pressure $p_{u \text{ max}}$: 150 to 1000 mbar.

Medium and ambient temperatures:

-20 to +60°C (-4 to +140°F).

RV..V, RVS..V with optional Viton valve disc seal:

0 to 60°C (32 to 140°F).

No condensation permitted.

Long-term use in the upper ambient temperature range accelerates the ageing of the elastomer materials and reduces the service life.

Storage temperature: -20 to +40°C (-4 to +104°F).

Do not store or install the unit in the open air.

8.2 Electrical data

Mains voltage:

230 V AC, -15/+10%, 50/60 Hz,

120 V AC, -15/+10%, 50/60 Hz.

Enclosure: IP 54 pursuant to IEC 592.

Safety class: I.

RVS, solenoid actuator

Solenoid valve (on RVS) with spring-loaded valve disc, closed when de-energized, Class A, Group 1 to EN 161.

Cable cross-section: max. 2.5 mm².

Cable gland:

PG 13.5 – apart from RVS 232ML = PG 11, plug with socket to EN 175301-803.

Closing time: < 1 s.

Duty cycle: 100%.

Electrical connection:

According to the data table, the electrical power is identical when switching on and in continuous operation.

Power factor of the solenoid coil: $\cos \varphi = 1$.

RV, RVS, actuator

Cable cross-section: max. 1.5 mm².

Cable gland:

RV, RVS: 2 x M20,

RV..E, RVS..E: 3 x M20.

RV..E with integrated positioning control.

The following signal types are processed:

– 0 (4) to 20 mA,

– 0 to 10 V.

Input resistance:

0 (4) to 20 mA: 50 Ω (load impedance),

0 to 10 V: 150 kΩ (input resistance).



Technical data

Running time for 0 to 100% at 50 Hz:

30 s and 60 s.

Running times are reduced by a factor of 0.83 at 60 Hz compared to 50 Hz:

	Running time [s/90°]	
	50 Hz	60 Hz
RV..30, RVS..30	30	25
RV..60, RVS..60	60	50

Contact rating of the cam switches:

Voltage	Min. current (resistive load)	Max. current (resistive load)
24 – 230 V, 50/60 Hz	1 mA	2 A
24 V DC	1 mA	100 mA

Typical designed lifetime of the cam switches:

Switching current	Switching cycles	
	$\cos \varphi = 1$	$\cos \varphi = 0.3$
1 mA	1,000,000	–
22 mA ¹⁾	–	1,000,000
100 mA	1,000,000	–
2 A	100,000	–

¹⁾ Typical contactor application (230 V, 50/60 Hz, 22 mA, $\cos \varphi = 0.3$)

8.3 Mechanical data

Housing: AlSi.

Valve disc seal: Perbunan.

Measuring connections:

RV..ML, RVS..ML: Rp 1/8 on both sides,

RV..F, RVS..F: Rp 1/4 on both sides.

Connection flanges:

RV..ML, RVS..ML: internal thread Rp to ISO 7-1,

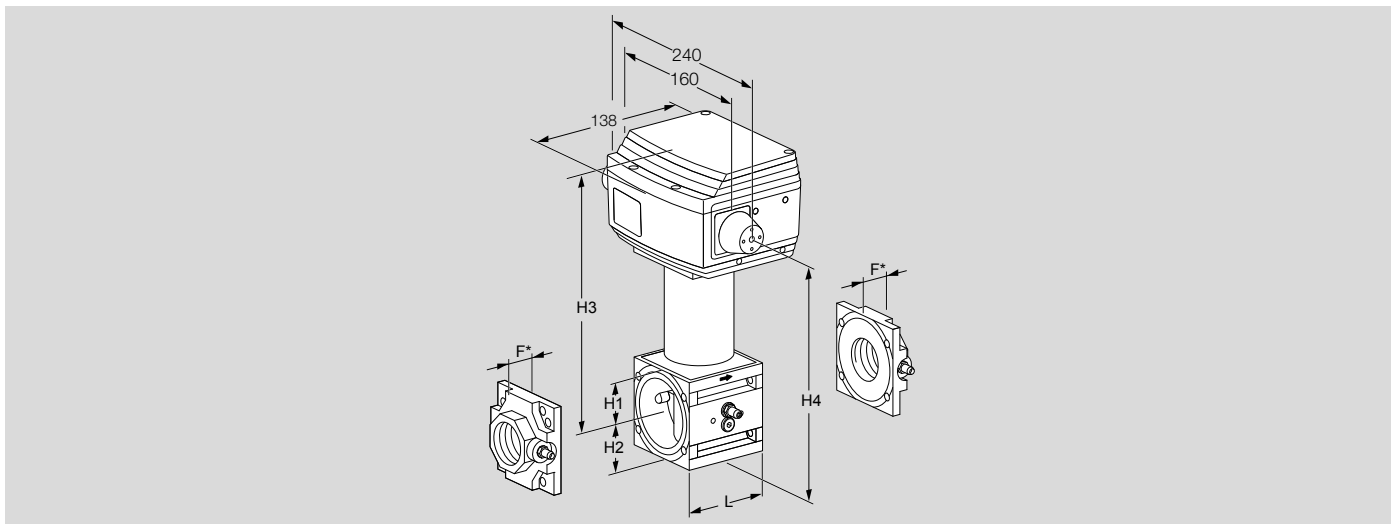
RV..F, RVS..F: flange to ISO 7005, PN 16.

Max. tightening torque:

3 Nm on projecting shaft.

8.4 Dimensions

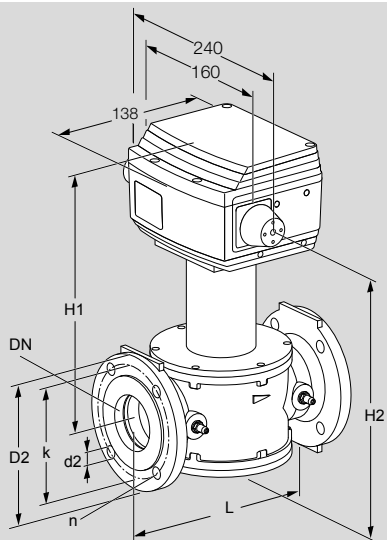
8.4.1 RV..ML



Type	Seat mm	Connection DN	P _{u max.} mbar	Dimensions						k _v m ³ /h	Power		Weight kg
				L mm	H1 mm	H2 mm	H3 mm	H4 mm	F* mm		120 V AC [VA/W]	230 V AC [VA/W]	
RV 2/W	5	Rp 1, Rp 11/2	1000	96	48	49	253	235	34	0.8	4.8	4.8	4.2
RV 2/X	6	Rp 1, Rp 11/2	1000	96	48	49	253	235	34	1.3	4.8	4.8	4.2
RV 2/Y	7.5	Rp 1, Rp 11/2	1000	96	48	49	253	235	34	2	4.8	4.8	4.2
RV 2/Z	9.5	Rp 1, Rp 11/2	1000	96	48	49	253	235	34	3.2	4.8	4.8	4.2
RV 2/A	11.5	Rp 1, Rp 11/2	1000	96	48	49	253	235	34	4.3	4.8	4.8	4.2
RV 2/B	13.8	Rp 1, Rp 11/2	1000	96	48	49	253	235	34	5.8	4.8	4.8	4.2
RV 2/C	16.5	Rp 1, Rp 11/2	1000	96	48	49	253	235	34	7.7	4.8	4.8	4.2
RV 2/D	23	Rp 1, Rp 11/2	1000	96	48	49	253	235	34	12	4.8	4.8	4.2
RV 2/E	32	Rp 1, Rp 11/2	500	96	48	49	253	235	34	17	4.8	4.8	4.2
RV 3/G	32	Rp 11/2, Rp 2	1000	130	63	72	284	291	42	26	4.8	4.8	5.3
RV 3/H	40	Rp 11/2, Rp 2	500	130	63	72	284	291	42	34	4.8	4.8	5.3
RV 3/I	52	Rp 11/2, Rp 2	360	130	63	72	284	291	42	46	4.8	4.8	5.3

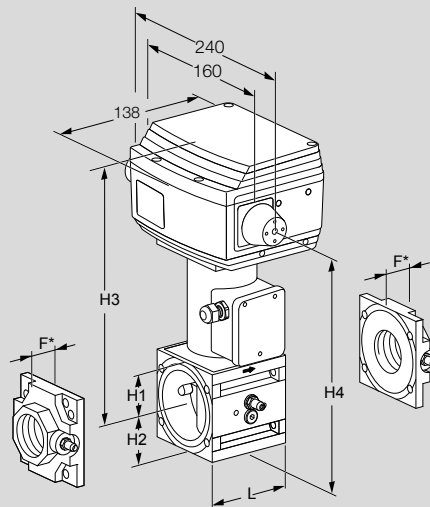
* Order inlet and outlet flanges separately

8.4.2 RV..F



Type	Seat mm	Connection DN	P _{U max.} mbar	Dimensions					n	k _v m ³ /h	Power		Weight kg
				L mm	H1 mm	H2 mm	D2 mm	k mm			120 V AC [VA/W]	230 V AC [VA/W]	
RV 40/K	31	40	1000	200	269	255	150	110	4	21	4.8	4.8	6.2
RV 40/L	42	40	500	200	269	255	150	110	4	34	4.8	4.8	6.2
RV 50/K	30	50	1000	230	280	277	165	125	4	21	4.8	4.8	7.6
RV 50/L	38	50	500	230	280	277	165	125	4	34	4.8	4.8	7.6
RV 50/M	52	50	360	230	280	277	165	125	4	46	4.8	4.8	7.6
RV 65/L	38	65	500	290	291	300	185	145	4	34	4.8	4.8	9.6
RV 65/M	47	65	360	290	291	300	185	145	4	46	4.8	4.8	9.6
RV 65/N	66	65	200	290	291	300	185	145	4	66	4.8	4.8	9.6
RV 80/M	46	80	360	310	303	323	200	160	8	46	4.8	4.8	11.8
RV 80/N	60	80	200	310	303	323	200	160	8	66	4.8	4.8	11.8
RV 80/O	81	80	200	310	303	323	200	160	8	93	4.8	4.8	11.8
RV 100/N	58	100	200	350	322	367	200	180	8	66	4.8	4.8	15.8
RV 100/O	77	100	200	350	322	367	220	180	8	93	4.8	4.8	15.8
RV 100/S	90	100	150	350	322	367	220	180	8	110	4.8	4.8	15.8

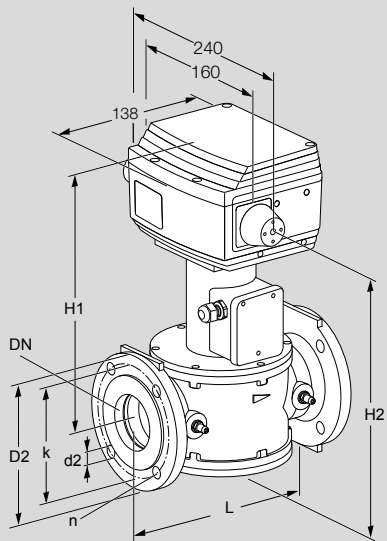
8.4.3 RVS..ML



Type	Seat mm	Connection DN	p _{U max.} mbar	Dimensions						k _v m ³ /h	Power		Weight kg
				L mm	H1 mm	H2 mm	H3 mm	H4 mm	F* mm		120 V AC [VA/W]	230 V AC [VA/W]	
RVS 2/W	5	Rp 1, Rp 11/2	1000	96	48	49	277	259	34	0.8	41	47	5.3
RVS 2/X	6	Rp 1, Rp 11/2	1000	96	48	49	277	259	34	1.3	41	47	5.3
RVS 2/Y	7.5	Rp 1, Rp 11/2	1000	96	48	49	277	259	34	2	41	47	5.3
RVS 2/Z	9.5	Rp 1, Rp 11/2	1000	96	48	49	277	259	34	3.2	41	47	5.3
RVS 2/A	11.5	Rp 1, Rp 11/2	1000	96	48	49	277	259	34	4.3	41	47	5.3
RVS 2/B	13.8	Rp 1, Rp 11/2	1000	96	48	49	277	259	34	5.8	41	47	5.3
RVS 2/C	16.5	Rp 1, Rp 11/2	500	96	48	49	277	259	34	7.7	41	47	5.3
RVS 2/D	23	Rp 1, Rp 11/2	360	96	48	49	277	259	34	12	41	47	5.3
RVS 2/E	32	Rp 1, Rp 11/2	200	96	48	49	277	259	34	17	41	47	5.3
RVS 3/G	32	Rp 11/2, Rp 2	500	130	63	72	360	367	42	26	78	91	11
RVS 3/H	40	Rp 11/2, Rp 2	360	130	63	72	360	367	42	34	78	91	11
RVS 3/I	52	Rp 11/2, Rp 2	200	130	63	72	360	367	42	46	78	91	11

* Order inlet and outlet flanges separately

8.4.4 RVS..F



Type	Seat mm	Connection DN	p _{u max.} mbar	Dimensions					n	k _v m ³ /h	Power		Weight kg
				L	H1	H2	D2	k			120 V AC [VA/W]	230 V AC [VA/W]	
				mm	mm	mm	mm	mm					
RVS 40/K	31	40	500	200	345	331	150	110	4	21	78	91	11.1
RVS 40/L	42	40	360	200	345	331	150	110	4	34	78	91	11.1
RVS 50/K	30	50	500	230	356	353	165	125	4	21	78	91	12.5
RVS 50/L	38	50	360	230	356	353	165	125	4	34	78	91	12.5
RVS 50/M	52	50	200	230	356	353	165	125	4	46	78	91	12.5
RVS 65/L	38	65	360	290	367	376	185	145	4	34	78	91	14.5
RVS 65/M	47	65	200	290	367	376	185	145	4	46	78	91	14.5

9 Converting units

See www.adlatus.org

10 Maintenance cycles

At least once per annum, at least twice per annum for biogas.

If the flow rate drops, clean the strainer.

Feedback

Finally, we are offering you the opportunity to assess this “Technical Information (TI)” and to give us your opinion, so that we can improve our documents further and suit them to your needs.

Clarity

- Found information quickly
- Searched for a long time
- Didn't find information
- What is missing?
- No answer

Comprehension

- Coherent
- Too complicated
- No answer

Scope

- Too little
- Sufficient
- Too wide
- No answer



Use

- To get to know the product
- To choose a product
- Planning
- To look for information

Navigation

- I can find my way around
- I got “lost”
- No answer

My scope of functions

- Technical department
- Sales
- No answer

Remarks

Contact

Elster GmbH
Postfach 2809 · 49018 Osnabrück
Strothweg 1 · 49504 Lotte (Büren)
Germany

Tel. +49 541 1214-0
Fax +49 541 1214-370
hts.lotte@honeywell.com
www.kromschroeder.com

The current addresses of our international agents
are available on the Internet:
www.kromschroeder.de/Weltweit.20.0.html?&L=1

We reserve the right to make technical
modifications in the interests of progress.
Copyright © 2018 Elster GmbH
All rights reserved.

